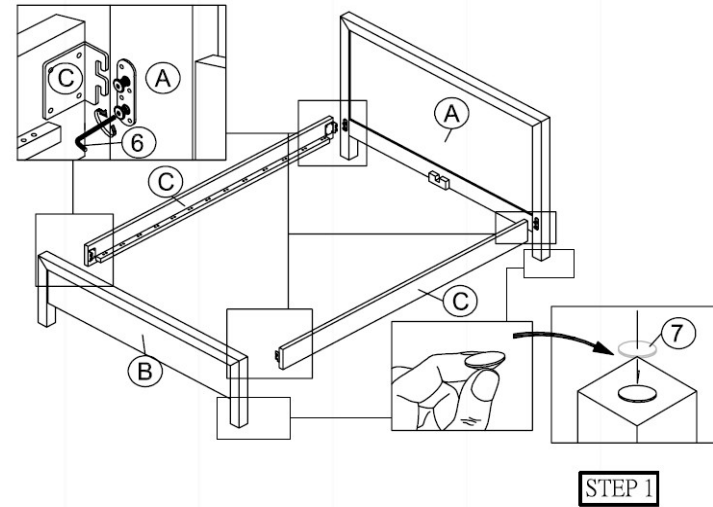


CHARLIE

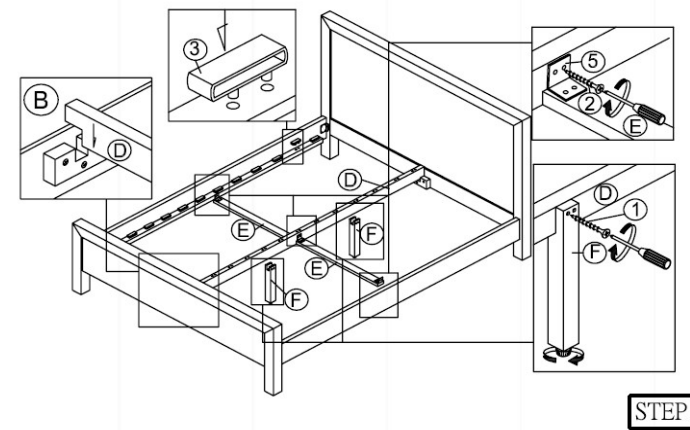


PRODUCT DESCRIPTION

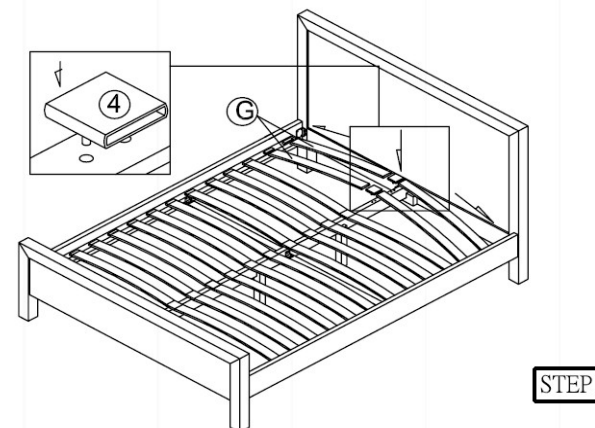
Read instruction carefully. Remove all wrapping material, staples and straps from the carton. See Hardware and Furniture Part List for guidance. Be sure you have all parts before you start assembling. Place all wooden furniture part a clean and flat soft surface, such as carpet or rug to prevent from being scratched.

CAUTION :

KEEP ALL HARDWARE PART OUT OF REACH OF CHILDREN.



HARDWARE LIST			
ITEM	DESCRIPTION		QTY
1	FH SCREW #8 x 32mm		4PCS
2	WOOD SCREW M3.5 x 16mm		16PCS
3	BED SLAT SIDE FITTER		28PCS
4	BED SLAT CENTER FITTER		14PCS
5	L- BRACKET		4PCS
6	ALLEN KEY M5		1PC



PART LIST		
ITEM	DESCRIPTION	QTY
A	HEAD BOARD	1PC
B	FOOT BOARD	1PC
C	SIDE RAIL	2PCS
D	CENTER RAIL	1PC
E	CENTER SUPPORT	2PCS
F	CENTER SUPPORT LEG	2PCS
G	BED SLAT	28PCS



www.hinlim.com

ISO 9001:2000
Certificate No. 2502

